

YAMAHA

SPEAKER SYSTEMS

SV10/SV12/SV15 SV12M

Owner's Manual

Mode d'emploi

Bedienungsanleitung

Manual de instrucciones

Thank you for purchasing a YAMAHA product. To obtain maximum performance from your YAMAHA speaker system and ensure many years of trouble-free operation, we recommend that you read this Owner's Manual thoroughly before use.

Contents

<i>Precautions</i>	2
<i>Connecting the Speakers</i>	4
<i>Specifications</i>	5

Precautions

AVOID EXCESSIVE HEAT, HUMIDITY, DUST AND VIBRATION

When choosing a location for your speakers, avoid the following:

- Direct sunlight, high temperatures (such as near heaters), or excessively low temperatures.
- High humidity.
- Areas subject to excessive dust accumulation and vibration.
- Non-level or unstable surfaces.

HOW TO POWER UP YOUR SOUND SYSTEM

To avoid damage to your speakers and other parts of your system, when you turn on your system, **ALWAYS** turn the power amp on last! This will avoid loud, damaging pops that will annoy your audience, and blow your speakers. When you power down, the amplifier should **ALWAYS** be turned off first to avoid the same problems.

MAKE SURE THE POWER IS OFF BEFORE MAKING OR REMOVING CONNECTIONS

Always turn the power switches of system components **OFF** prior to connecting or disconnecting cables. Failure to do so may result in damage to speakers as well as to connected equipment.

DISCONNECT CABLES BEFORE MOVING THE SYSTEM

To prevent short circuits or breakage of cables, always disconnect cables prior to moving system equipment.

MATCH CONNECTOR POLARITY

When using two or more speaker systems, be sure match the polarity (+/-) of the speaker system connectors to those at the amplifier. If the polarities do not match, the sounds produced by the speakers will interfere with each other, making it impossible to achieve a well-balanced sound field.

KEEP THIS OWNER'S MANUAL IN A SAFE PLACE FOR FUTURE REFERENCE

To protect your speakers

When choosing a power amplifier to use with your speakers, make sure that its power output matches the speakers' power capacity (refer to the Specifications on page 5). Even if the amplifier's power output is lower than the speakers' PGM (program) power capacity, the speakers may be damaged when clipping of a high input signal occurs.

The following may cause damage to speakers:

- Feedback caused when using a microphone.
- Continuous high sound pressure level produced by electronic instruments.
- Continuous high-power output distorted signals.
- Popping noises caused by turning on equipment, or by connecting or disconnecting system components while the amplifier is turned on.



This product, when used in combination with amplification and/or additional loudspeakers, may be capable of producing sound levels that could cause permanent hearing loss.

DO NOT operate at high volume levels or at a level that is uncomfortable. If you experience any discomfort or ringing in the ears, or suspect an hearing loss, you should consult an audiologist.

CAUTION!

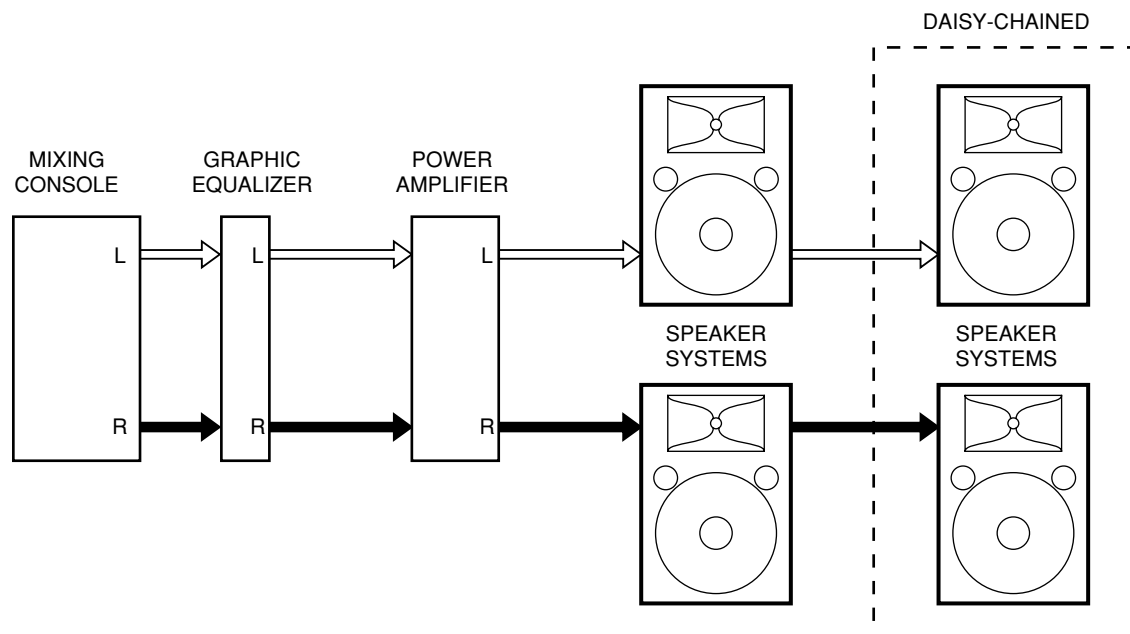
Recommended for use with Ultimate Support Systems, Inc. Model TS-30 or TS-33 speaker stands only.

- Use only ONE speaker per stand.
- The loudspeakers and stands must always rest upon a solid, level surface.
- Improper installation or usage could result in the loudspeaker falling and causing injury.
- The top tube of the TS-30 and TS-33 speaker stands has a diameter of 1-1/2", but is tapered to 1-3/8" at the top to fit in the mounting holes on these models. If you should remove the top tube from a stand, be sure to insert it with the narrow end up when reassembling.

Connecting the Speakers

CONNECTION EXAMPLE

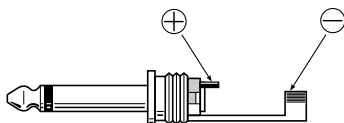
The illustration below shows audio connections for a standard setup using two speaker systems.



DAISY-CHAINING SPEAKERS

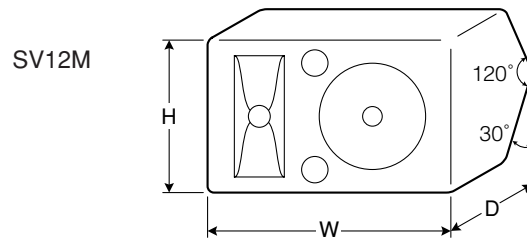
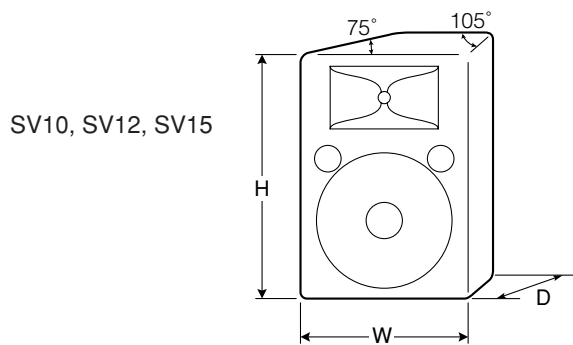
Since the speaker systems in this series are equipped with two input terminals that are internally connected in parallel, it is possible “daisy-chain” speakers by connecting the output from the power amplifier to one phone jack, and a second speaker system to the other.

All speaker models in this series have a nominal impedance of 8Ω . Since most power amplifiers are designed to provide stable performance at a load impedance of 4 or 8Ω , Yamaha recommends that no more than two 8Ω speaker systems be daisy-chained together. This will allow the amplifier to operate properly and avoid overheating.



Specifications

Model		SV10	SV12/SV12M	SV15
Enclosure		Bass reflex type		
Speaker Unit	LF	10" cone	12" cone	15" cone
	HF	Piezo horn		
Frequency Response		70 Hz to 20 kHz	60 Hz to 20 kHz	50 Hz to 20 kHz
Power Capacity	NOISE	75 W	100 W	
	PGM	150 W	200 W	
	MAX	300 W	400 W	
Nominal Impedance		8Ω		
Sensitivity		95 dB SPL (1W, 1m)	97 dB SPL (1W, 1m)	98 dB SPL (1W, 1m)
Input Connectors		1/4" phone jack x 2 (parallel input)		
Dimensions (W x H x D)		400 x 517 x 328 mm	SV12: 445 x 525 x 372 mm SV12M: 525 x 445 x 315 mm	510 x 628 x 455 mm
Weight		13.3 kg	SV12: 14.8 kg SV12M: 13.5 kg	22 kg



Unit: mm

Specifications subject to change without notice

YAMAHA